


---

---

---

---

---

---

---

---

---

---

---

---

---

---

---

---

---

---

---

---

---

---

---

---

---

---

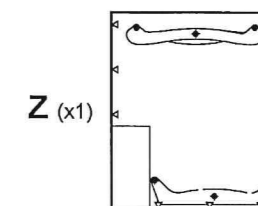
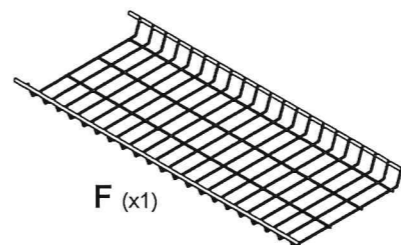
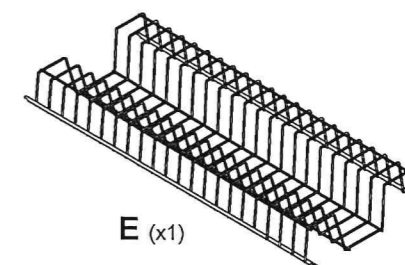
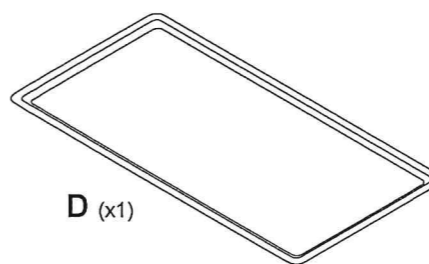
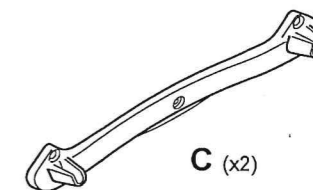
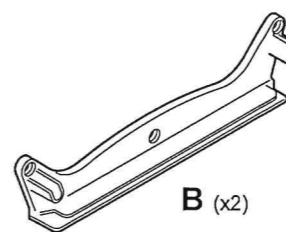
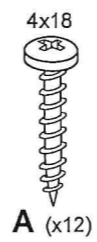
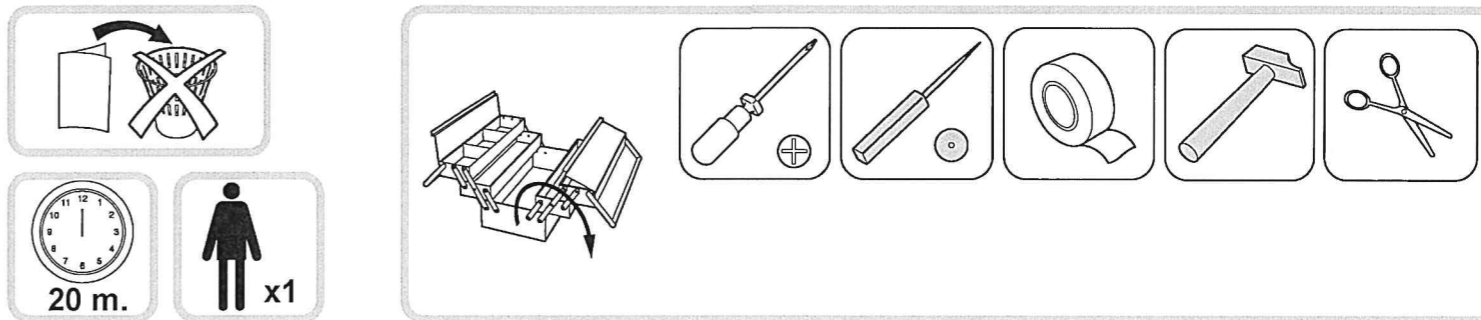
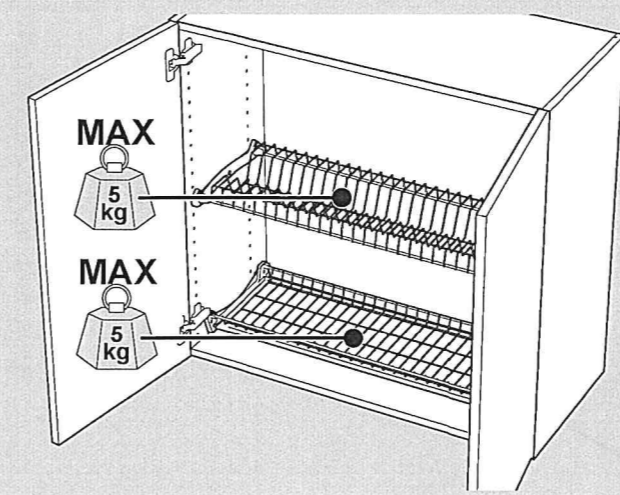
---

---

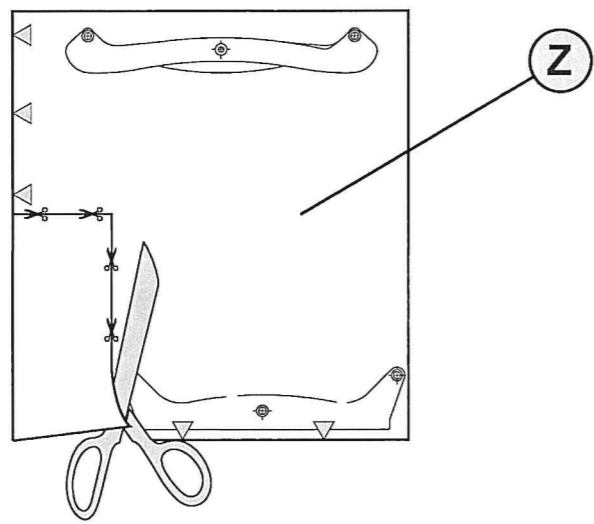
---

---

---

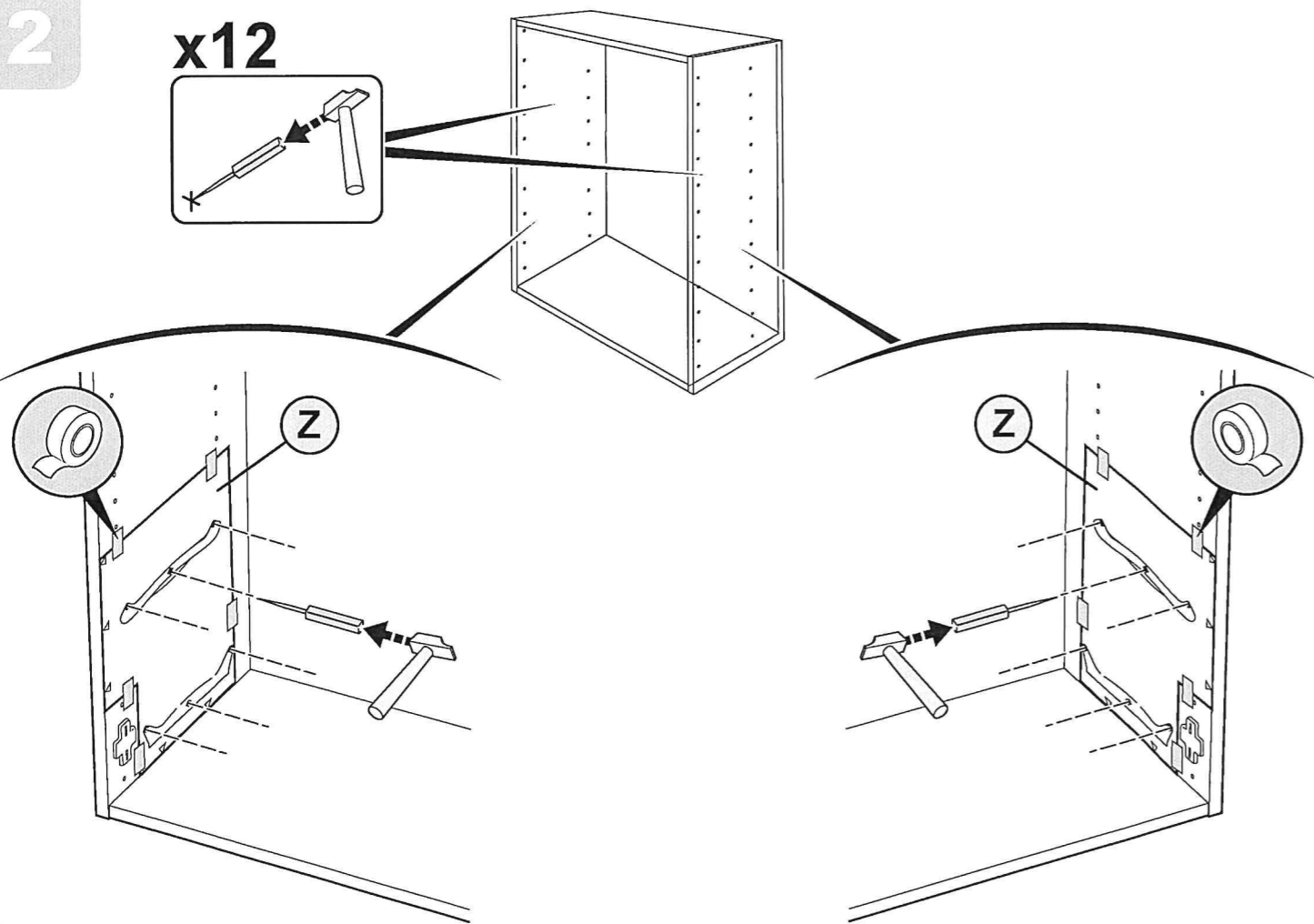


1



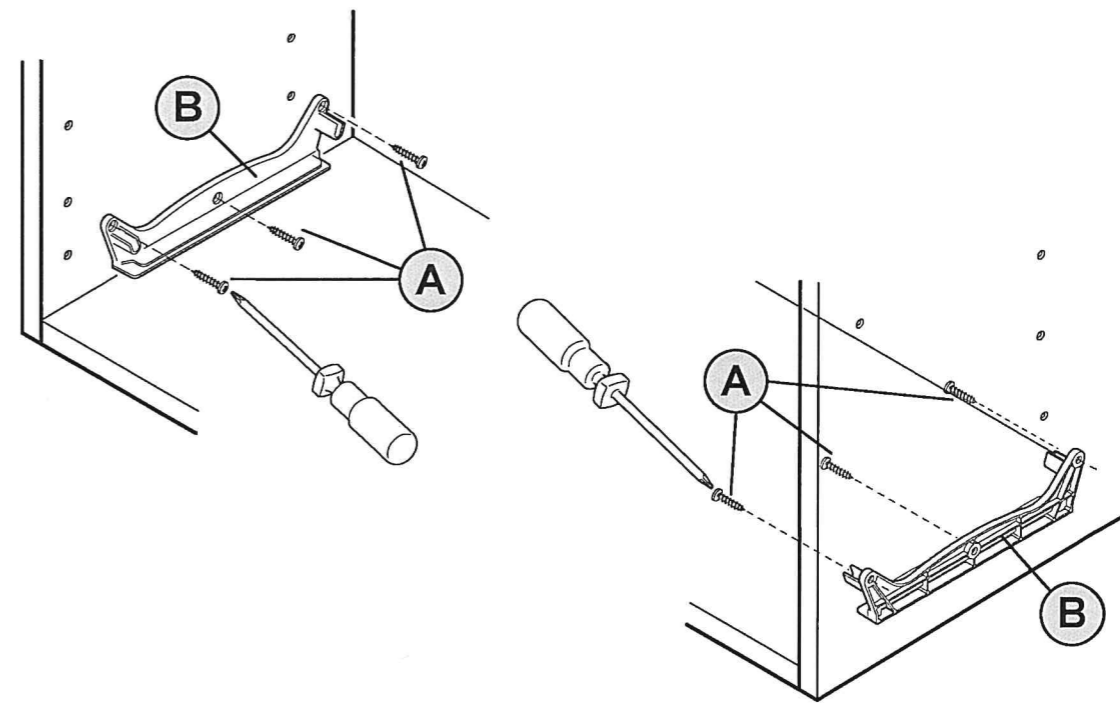
2

x12

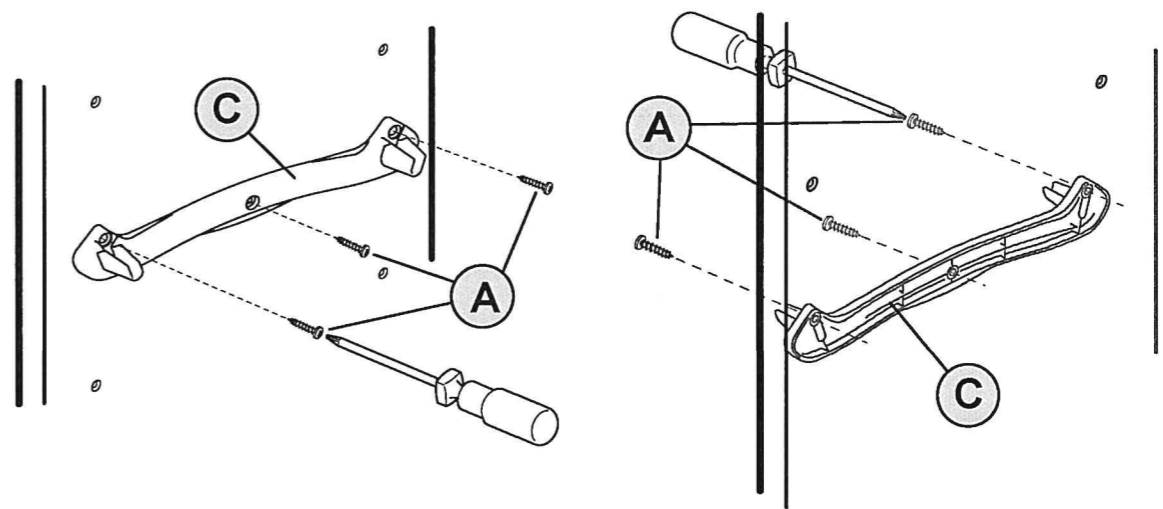


2

3



4



3