



DOMUS LINE
L I G H T S T Y L E



DOMUS Line Srl
Via Maestri del Lavoro, 1
33080 PORCIA _ PN _ Italy

phone 0039 0434 595911
fax 0039 0434 923345
e-mail info@domusline.com
website www.domusline.com

X-SIGN 4F
X-SIGN 4F TDM

INSTALLATION MANUAL

EN

Ref. 3486500_r0



Protection class III device. Power must be supplied by a safe power supply.

Leuchte mit Schutzklasse III. Die Stromversorgung muss mit einem Sicherheits-Anschlusskabel geliefert werden.

Appareil avec classe de protection III. L'alimentation doit être fournie par un transformateur de sécurité.

Aparato de clase de protección III. La alimentación debe realizarse mediante un alimentador seguro.

Apparecchio in classe di protezione III. L'alimentazione deve essere fornita da un alimentatore di sicurezza.

Photobiological safety: The device belongs to the risk 0 group (EXEMPT) in accordance with the EN62471.

Photobiologische sicherheit: Die Leuchte gehört zur Risikogruppe 0 (KEINE) gemäß EN-Norm 62471.

Securite photobiologique: L'appareil fait partie du groupe de risque 0 (EXEMPT), conformément à la norme EN62471.

Seguridad fotobiológica: El aparato pertenece al grupo de riesgo 0 (EXENTO) según la norma EN62471.

Sicurezza fotobiologica: L'apparecchio appartiene al gruppo di rischio 0 (ESENTE), secondo la norma EN62471.



The product must be disposed of separately from urban waste, delivering it to the collection centres established by the prevailing standard.

Adequate sorted waste collection contributes to preventing negative effects on the environment and health and favours reuse and/or recycling materials. Incorrect disposal of the product implies the application of the administrative sanctions envisaged by the prevailing regulation.

Die Leuchte muss getrennt vom Hausmüll entsorgt und entsprechend der geltenden Richtlinien, an den vorgesehenen Sammelstellen abgegeben werden. Die angemessene getrennte Sammlung trägt dazu bei, eventuelle negative Auswirkungen auf die Umwelt und die Gesundheit zu vermeiden und die Wiederverwendung und/oder das Recycling der Materialien zu begünstigen. Die unsachgemäße Entsorgung bringt die Anwendung administrativer Strafen mit sich, die in den geltenden Richtlinien vorgesehen sind.

Le produit doit être collecté séparément et non jeté avec les déchets ménagers en le portant dans les déchetteries prévues par la réglementation en vigueur. Un tri sélectif approprié contribue à éviter des possibles effets négatifs sur l'environnement et sur la santé et favorise la réutilisation et/ou le recyclage des matériaux. L'élimination abusive entraîne l'application des sanctions administratives prévues par la réglementation en vigueur.

Se debe desechar el producto de forma separada de los residuos urbanos; se lo debe entregar en los centros de recolección previstos por la norma en vigor. La recolección diferenciada adecuada contribuye a evitar posibles efectos negativos en el medioambiente y en la salud y favorece la reutilización y/o el reciclaje de los materiales. Si se lo desecha en forma abusiva tendrá como consecuencia la aplicación de sanciones administrativas previstas por la normativa vigente.

Il prodotto deve essere smaltito separatamente dai rifiuti urbani consegnandolo ai centri di raccolta previsti dalla normativa in vigore.

L'adeguata raccolta differenziata contribuisce ad evitare possibili effetti negativi sull'ambiente e sulla salute e favorisce il reimpiego e/o il riciclo dei materiali. Lo smaltimento abusivo comporta l'applicazione delle sanzioni amministrative previste dalla normativa vigente.



Device only for indoor installation.

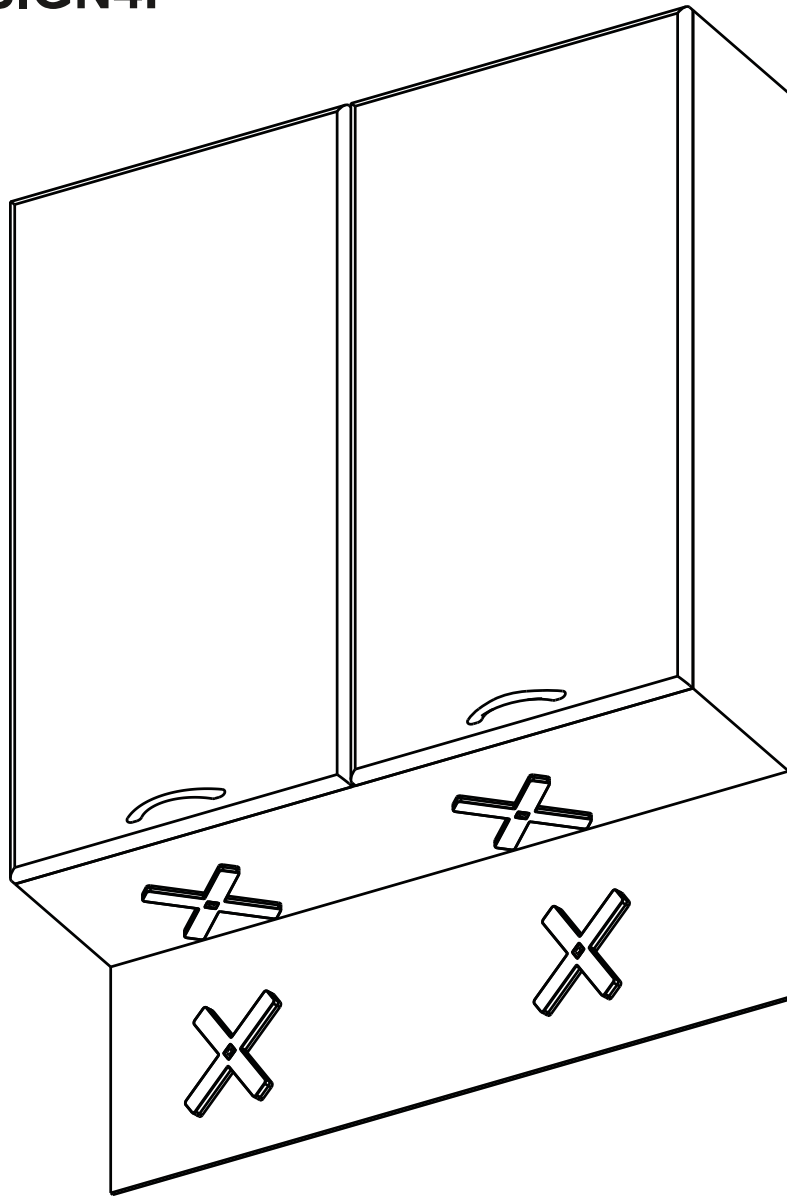
Leuchte nur für die Installation im Innenbereich.

L'appareil doit être uniquement installé à l'intérieur.

Aparato para un solo uso en un ambiente interior.

Apparecchio per sola installazione in ambiente interno.

X-SIGN4F



X-SIGN4F

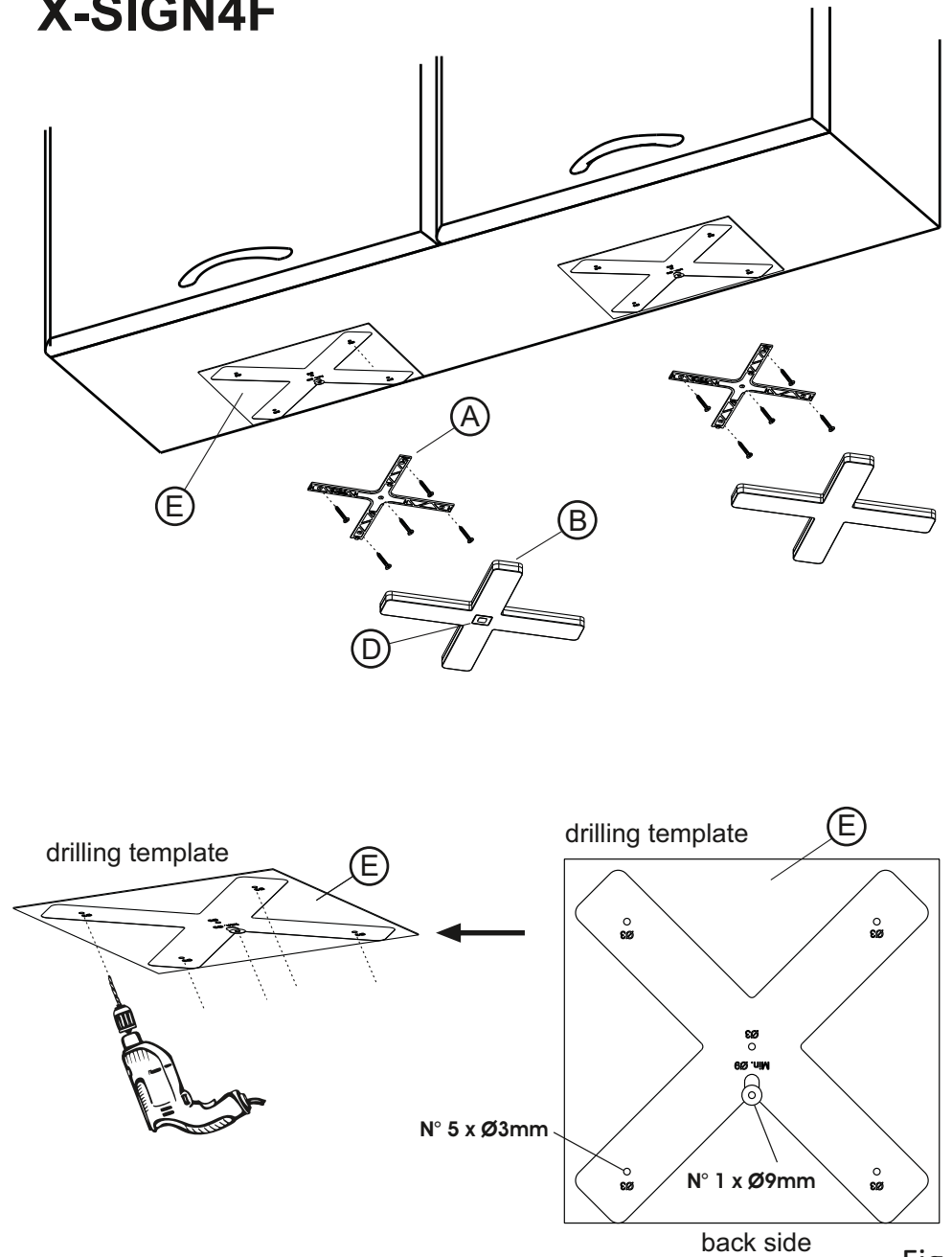
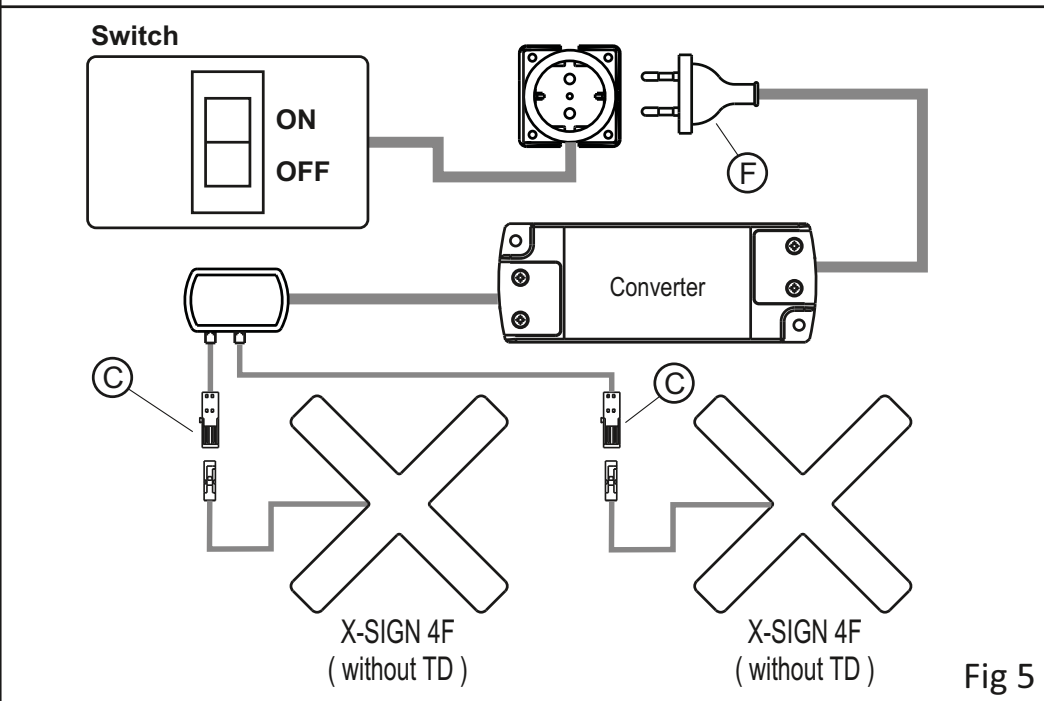
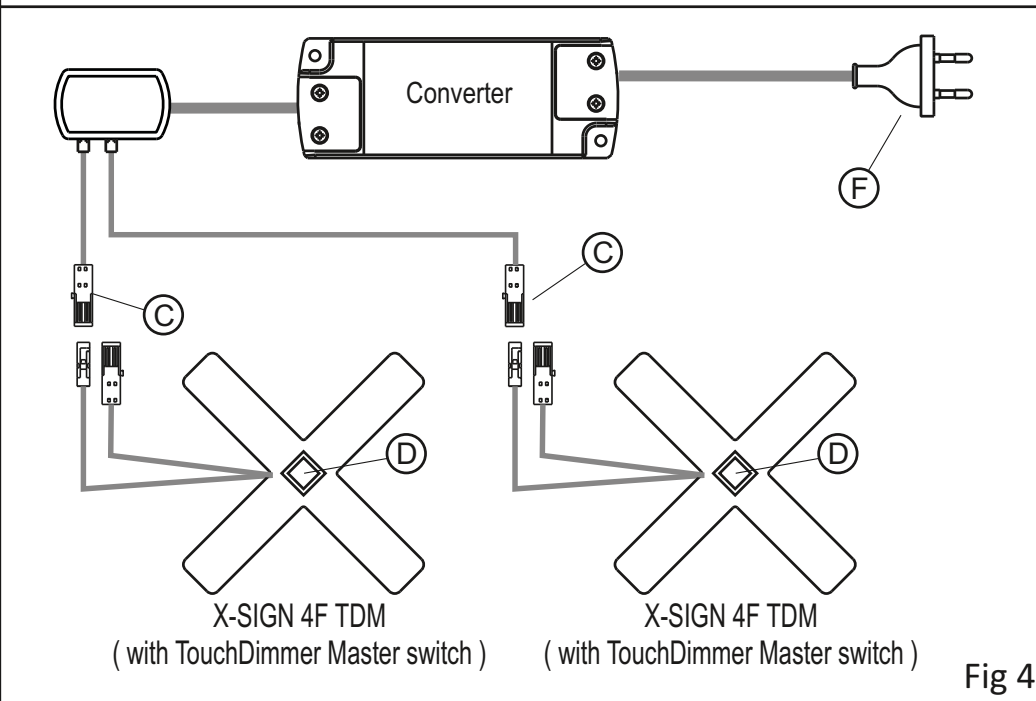
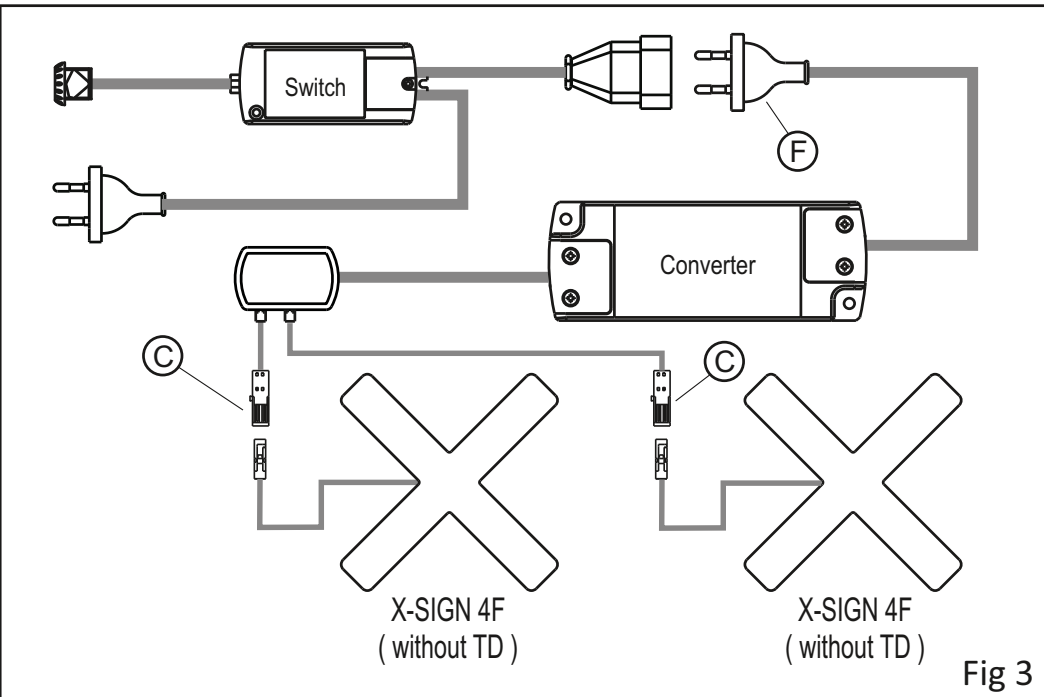
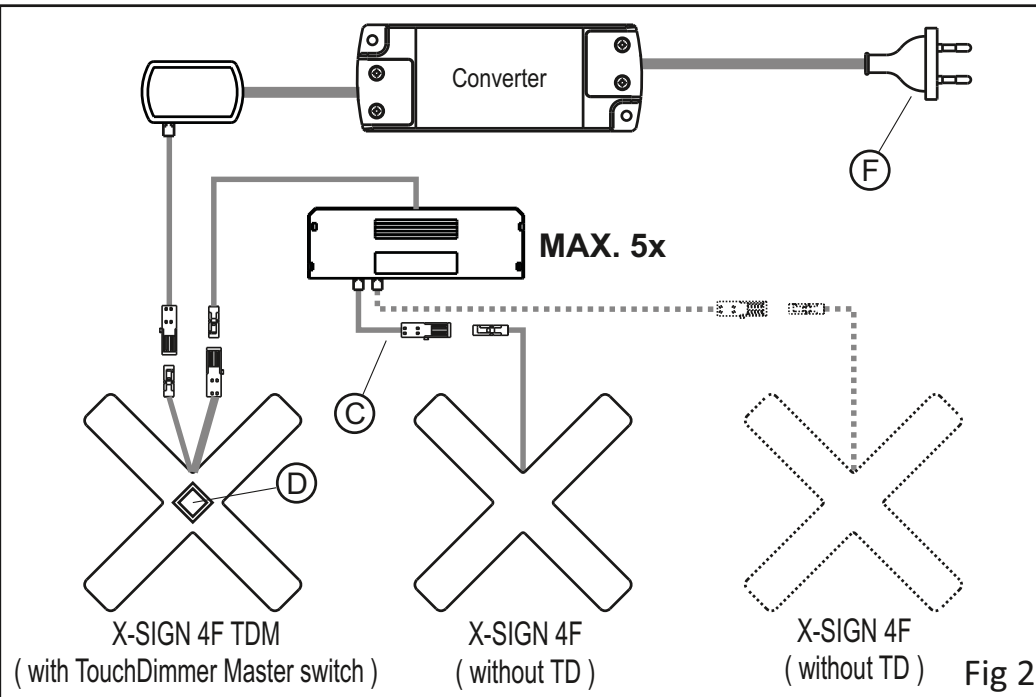


Fig 1



WARNING:

Safety is guaranteed if these instructions are followed and therefore they must be kept. Installation may require the involvement of qualified personnel. Before proceeding with installation of the device ensure that the environmental conditions are in compliance with and suitable for the product characteristics. Before any operation on the device disconnect mains power.

INTRODUCTION:

X-SIGN 4F TDM is a light equipped with an electronic switch (D) wired in MASTER version. It can be installed alone or combined with **X-SIGN 4F** (without switch) to enable switching on, switching off and simultaneous adjustment of all equipment (max. 6 in all).

INSTALLATION:

- Use the drilling template (E) for the correct positioning of the equipment
- Position the drilling template at the rear part of the hanging elements and drill the indicated holes: 5 \varnothing 3mm holes + 1 \varnothing 9mm hole for the exit of the cable) see figure 1.
- Fix the bracket (A) using the screws (B) in the packaging.
- Thus couple the light (B) by matching the hooks present in the bracket with the relative holes on the light and thus pressure-couple it.
- Electrically connect the lights to the power supply complying with the wiring diagram (fig. 2,3,4,5) using the extensions (C) provided in the packaging if necessary.
- Connect the power supply plug (F) to an alternating current socket (230V 50/60Hz).
- Use 24Vdc constant voltage power suppliers only with power

exceeding the total load by at least 10%. **X-SIGN 4F TDM** can guide a maximum load of 50W @ 24Vdc, thus a maximum **5 X-SIGN 4F**.

OPERATION:

X-SIGN 4F TDM refer to configurations of the equipment integrating a dimmable electronic switch (D) which enables switching on, switching off and adjusting light intensity. As indicated in the INSTALLATION section, these can be installed alone or combined with **X-SIGN 4F** (switch-less equipment) to enable switching on, switching off and adjusting all equipment simultaneously.

The apparatus can be easily switched on and off by touching the switch (D).

Extended touching of the switch enables adjusting the light intensity increasing or reducing it. A brief blinking of the equipment indicates that maximum brightness has been reached.

The brightness level will be memorised until the next adjustment.

WARNING

- The LED module and the power supply cable of this equipment cannot be replaced, thus, the entire equipment must be replaced in case of failure.

WARRANTY:

The warranty on the device is valid only if powered by a power supply provided by DOMUS Line. The warranty's general terms and conditions for this device are available at www.domusline.com